

PRODUCT INFORMATION PACKET



Model No: 6203X
Catalog No: 6203X

EVERGREEN® EM Fan and Blower Motor, 1/3 HP, 1 Ph, 60 Hz, 115/208-230 V, 1050 RPM, 1 Speed, 48 Frame,
OPAO



Regal and Genteq are trademarks of Regal Rexnord Corporation or one of its affiliated companies.
©2023 Regal Rexnord Corporation, All Rights Reserved. MC017097E





Nameplate Specifications

| | | | |
|---------------------|---------------|--------------------|---------------------|
| Phase | 1 | Output HP | 1/3 Hp |
| Voltage | 115/208-230 V | Speed | 1050 rpm |
| Service Factor | 1 | Frame | 48 |
| Enclosure | Open Air Over | Thermal Protection | No Protection |
| Ambient Temperature | 40 °C | Frequency | 60 Hz |
| Current | 4.1/2.8 A | Duty | Continuous Air Over |
| Insulation Class | B | UL | No |
| CSA | N | CE | N |
| Number of Speeds | 1 | | |

Technical Specifications

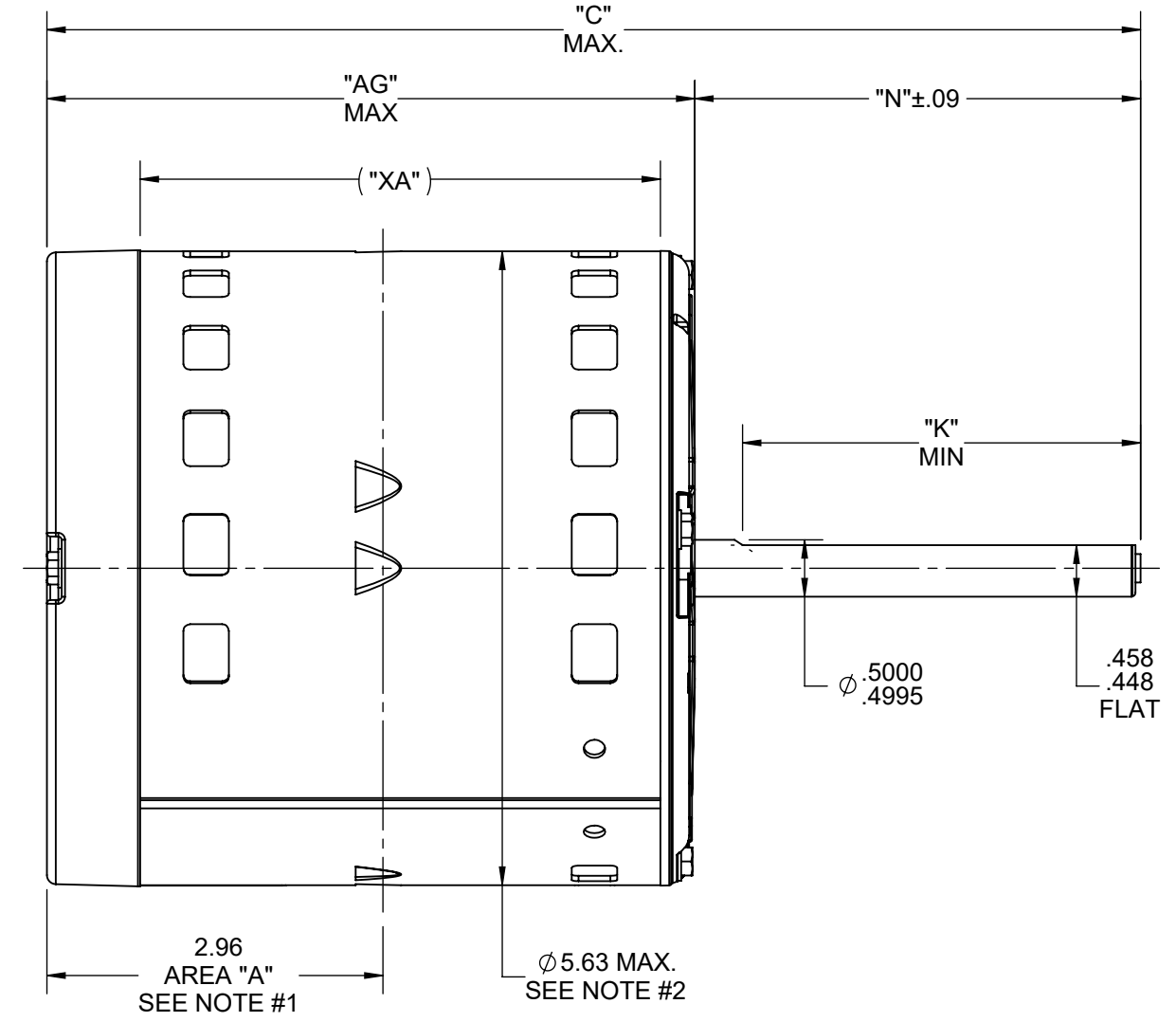
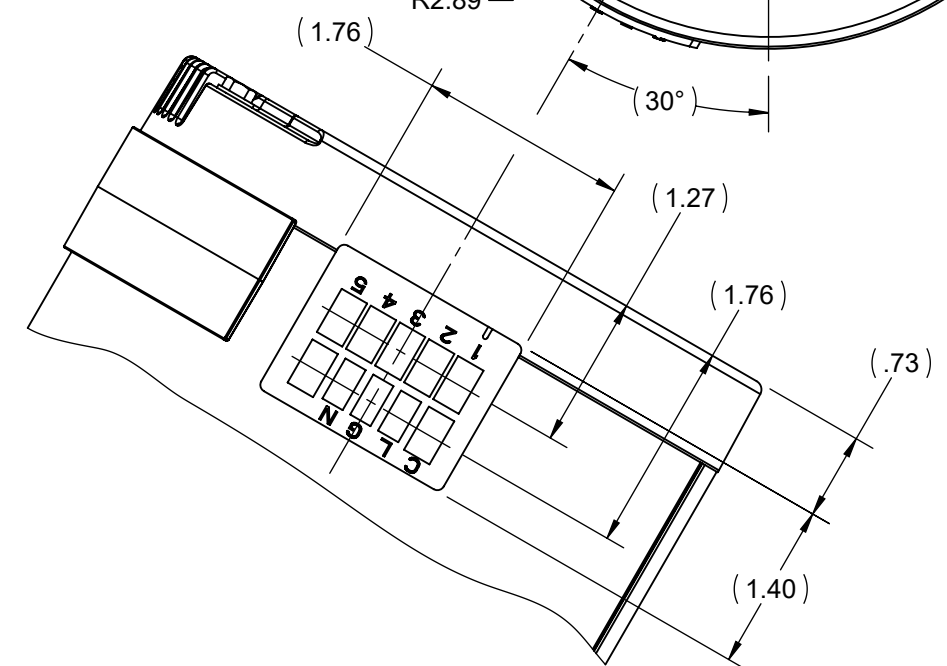
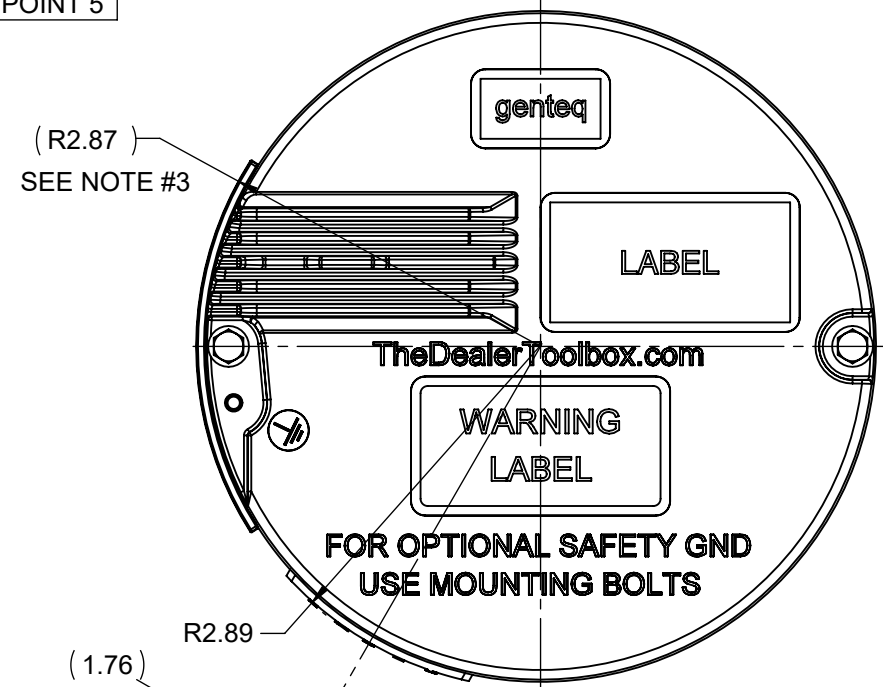
| | | | |
|-----------------------|---------------------------------|-------------------|---------------|
| Electrical Type | Electronically Commutated Motor | Poles | 10 |
| Rotation | Counterclockwise/Clockwise | Mounting | Round |
| Motor Orientation | Hor | Drive End Bearing | Ball |
| Opp Drive End Bearing | Ball | Frame Material | Rolled Steel |
| Shaft Type | Flat | Overall Length | 10.66 in |
| Frame Length | 4.57 in | Shaft Diameter | 0.500 in |
| Shaft Extension | 4.92 in | | |
| Connection Drawing | N/R | Outline Drawing | 5SAA39DLP8022 |

This is an uncontrolled document once printed or downloaded and is subject to change without notice. Date Created:11/08/2023

| CONNECTOR ID | DESCRIPTION | OPERATING MODE |
|--------------|---------------|----------------|
| C | SIGNAL COMMON | SIGNAL COMMON |
| L | LINE | LINE |
| G | GROUND | GROUND |
| N | NEUTRAL | NEUTRAL |
| 1 | TAP 1 | TORQUE POINT 1 |
| 2 | TAP 2 | TORQUE POINT 2 |
| 3 | TAP 3 | TORQUE POINT 3 |
| 4 | TAP 4 | TORQUE POINT 4 |
| 5 | TAP 5 | TORQUE POINT 5 |

B

A



NOTES:

1. BELLY BAND MUST NOT BE PLACED WITHIN AREA "A"
2. MAX. O.D. OF MOTOR AT SHELL WELD.
3. RADIUS TO OUTSIDE OF NFC COVER.

| NAMEPLATE DATA | |
|----------------|---------------|
| MODEL | 5SAA39DLP8022 |
| CPN/STOCK NO. | 6203X |
| H.P. | 1/3 |
| RPM | 1050 |
| VOLTS | 115/208-230 |
| HZ | 60/50 |
| MAX. AMPS | 4.1/2.8 |
| ROTATION | CCW/CW |

| VENTILATION SYSTEM | |
|--------------------|--------|
| SHELL VENTS | OPEN |
| MID SHIELD(LE) | OPEN |
| END SHIELD (OLE) | CLOSED |

| | | |
|---|----------------------|-----------------------------|
| DRAWING REVISION D | REVISION BY SA | REV DATE/© DATE 8/4/2023 |
| REQUEST NUMBER ECR-0225860 | APPROVED BY DON.S | DATE 8/4/2023 |
| REQUEST NUMBER DESCRIPTION UPDATED DESCRIPTION ECR-0225860 | | |
| <small>COPYRIGHT (PER REVISION DATE) REGAL BELOIT AMERICA, INC. ALL RIGHTS RESERVED. PROPRIETARY AND CONFIDENTIAL INFORMATION - THIS DOCUMENT IS THE PROPERTY OF REGAL BELOIT AMERICA, INC. ("OWNER") AND CONTAINS OWNER'S PROPRIETARY INFORMATION. ANY PERSON, CORPORATION OR OTHER FIRM RECEIVING IT IS DEEMED, BY RECEIVING IT, TO AGREE THAT IT, AND/OR ANY PART OF IT, SHALL NOT BE DISCLOSED TO ANY PERSON, CORPORATION OR OTHER ENTITY, DUPLICATED, AND/OR USED, EXCEPT AS EXPRESSLY APPROVED IN WRITING IN ADVANCE BY OWNER. THIS DOCUMENT SHALL BE RETURNED TO OWNER UPON REQUEST. IT MAY BE SUBJECT TO CERTAIN RESTRICTIONS UNDER APPLICABLE EXPORT CONTROL LAWS AND REGULATIONS.</small> | | |

PRIMARY DIMENSIONS ARE INCH
mm DIMENSIONS IN [BRACKETS]
ARE FOR REFERENCE ONLY

| | |
|------------------|--|
| DRAWN BY RS | |
| DATE 6/8/2020 | |
| APPROVED BY | |
| DATE | |
| REFERENCE | |

| | | | | |
|--|---------------------------------|----------------------|-----------------|------|
| 10.66 | 5.74 | 4.57 | 4.92 | 4.50 |
| C MAX | AG | XA | N | K |
| Regal Beloit America, Inc. | | | | |
| OUTLINE Evergreen EM - 1/3 HP 115/208-230 VOLT | | | | |
| MATERIAL NA | | PROCESS/FINISH NA | | |
| SIZE B | DRAWING NUMBER 5SAA39DLP8022 | | SHEET 1 OF 1 | |

Winding and Test Specification

WTS # 24X333697-1

Revision # 4

Rev. Date : Mar 20, 2019

First Made for : SPOKEDALEON

WTS Nameplate Data

| | | | |
|-------------------|---------|------------------|-----------|
| Horsepower | 1/3 | RPM | 1050 |
| Voltage | 115/230 | Amps | 4.10 2.80 |
| Frequency | 60/50 | Phases | 1 |
| Capacitor | | Cap Volts | |

Test Volts : **Low Spd St Volts :**
Test Frequency :
Test Instructions : 24A105040AA-P1

Winding

Resistance

| | Min | Nominal | Max |
|---------------|------|---------|------|
| Main * | 4.52 | 4.76 | 4.99 |
| X Main | 4.52 | 4.76 | 4.99 |
| Y Main | | | |
| Z Main | | | |
| W Main | | | |
| Start | 4.52 | 4.76 | 4.99 |

N. L. Performance Data

| | Amps | Watts | | Cap. Volts |
|------------------|---------|---------|-----|------------|
| | Nominal | Nominal | Max | |
| High | | | | |
| Med. High | | | | |
| Medium | | | | |
| Med. Low | | | | |
| Low | | | | |

Full Load Performance

| Amps | | Watts | | Speed | Torque | |
|---------|-----|---------|-----|---------|--------|---------|
| Nominal | Max | Nominal | Max | Nominal | Min | Nominal |
| | | | | | | |
| | | | | | | |
| | | | | | | |
| | | | | | | |

Max. Torque

| | RPM | Torque | |
|------------------|-----|--------|---------|
| | | Min | Nominal |
| High | | | |
| Med. High | | | |
| Medium | | | |
| Med. Low | | | |
| Low | | | |

Locked Rotor

| Amps | Watts | Torque |
|---------|---------|---------|
| Nominal | Nominal | Nominal |
| | | |
| | | |
| | | |
| | | |

Customer/Special Load Points

| | Speed | Torque | | Watts | | Amps | |
|------------------|---------|--------|---------|---------|-----|---------|-----|
| | Nominal | Min | Nominal | Nominal | Max | Nominal | Max |
| High | | | | | | | |
| Med. High | | | | | | | |

| | | | | | | | |
|-----------------|--|--|--|--|--|--|--|
| Medium | | | | | | | |
| Med. Low | | | | | | | |
| Low | | | | | | | |

* Large wire size may be double stranded.

Regal Beloit Confidential Information



Motor Details



| | | | |
|-------------------------------------|------------------------------|-------------------------|--------------------------------|
| Model : | 5SAA39DLP8022 | Catalog Number : | N/A |
| General: | | | |
| Application : | INDOOR INT CONTROL | Motor Category : | COMPLETE MOTOR |
| Phases : | 1 | Production Status : | PROD |
| # of Speeds : | 1 | Stock Status : | |
| Testspec : | 24X333697-1 | Approved For Sale : | |
| Horiz/Vertical : | HOR | Restricted Model : | |
| Shell Enclosure : | OPEN | Customer : | DEF PUR |
| Endshield Enclosure : | CLOSED | Customer Part# : | 6203X |
| Nameplate Data: | | | |
| Horsepower : | 1/3 | GE Type : | SME |
| RPM : | 1050 | Time Rating : | CAO |
| Voltage : | 115/208-230 | Frequency : | 60/50 |
| FL Amps : | 4.45/2.6 | Insulation Class: | B |
| Capacitor 1mFd/V : | N/R | Capacitor 2mFd/V : | N/R |
| Additional Information : | N/R | | |
| Miscellaneous: | | | |
| Fullload RPM - HI : | | GE Frame : | 39 |
| Poles : | 10 | Shell Length : | 4.57 |
| Rotation : | CCW/CW | Drains : | Y |
| Thermal Protection : | | Est. Weight : | 9 |
| Finish Color: | GREEN | Capacitor By : | N/R |
| OVERLOAD INFORMATION:: | | | |
| Protector: | N/R | Overload Temp : | N/A |
| Catalog No: | N/A | Vendor Name: | N/A |
| THERMAL CUT-OFF INFORMATION: | | | |
| TCO: | N/A | Overload Temp : | N/A |
| Catalog No: | N/A | Vendor Name: | N/A |
| U.L.CONSTRUCTION FILES: | | | |
| Motor Construction: | E46035(excluding SME) | Class B Insulation : | E306343(excluding SME) |
| Over Load : | E27885(excluding SME) | CSA(REY) : | MC236833(excluding SME) |
| Shaft: | | | |
| PE Type : | FLAT | OPE Type : | N/R |
| PE Length : | 4.92 | OPE Length : | N/R |
| PE Diameter : | .5 | OPE Diameter : | 0 |
| PE Flat Length : | 4.50 | OPE Flat Length : | N/R |
| Endshields: | | | |
| PE Material : | AL | OPE Material : | AL |
| PE Hub Type : | FLAT | OPE Hub Type : | FLAT |
| PE Oiler : | N/R | OPE Oiler : | N/R |
| PE Oil Plug : | N/R | OPE Oil Plug : | N/R |
| PE Mounting Holes : | N/R | OPE Mounting Holes : | N/R |
| Bearings: | | | |
| PE Bearing Type : | BALL | OPE Bearing Type : | BALL |
| Bearing Protection : | No | Rohs Compliant : | No |
| Mounting: | | | |
| Base : | N/R | Lug : | N/R |
| Clamp Screw : | Yes | Weld Screw : | No |
| Extended Clamp Screws: | | | |
| PE Pattern : | | OPE Pattern : | |
| PE Length : | 0 | OPE Length : | 0 |
| PE Nut Qty : | 0 | OPE Nut Qty : | 0 |
| Head End : | PE | Screw Size : | #8 |
| Nut Thickness : | N/R | | |
| Lead & Cord : | | | |
| Lead End : | OPE | Lead Type : | TERM BLOCK |
| Lead Exit H/W : | N/R | Lead Harness Desc : | N/R |

Lead Exit H/W Orient. : **N/R**

Note : Exit position is viewed from the Lead End with the Shell Weld at 6:00.

Terminal Block :

| | | | |
|---------------|------------|-----------|------------|
| Type : | N/R | Qty : | 0 |
| Termination : | N/R | Label 1 : | N/R |
| Location 1 : | N/R | | |

Grounding :

| | | | |
|-------------|------------|--------------------------|--|
| Type : | N/R | Location : | N/R viewed from N/R with Oil boss at 12:00 |
| Exit Type : | N/R | AWG Size : | 0 |
| Length : | N/R | Color : | N/R |
| Terminal : | N/R | Ins.Material & Thickness | N/R N/R |

Diagrams and Dimensions :

| | | | |
|----------------------|------------------------|--------------------|--------------|
| Outline Drawing : | 5SAA39DLP8022 | C-Dimension : | 10.66 |
| Connection Diagram : | 423B631 Fig# 35 | Connection Label : | N/R |

Notes :

This document is the property of the Regal Beloit Company containing proprietary and confidential information.

Date of last revision : **19-MAY-23**

